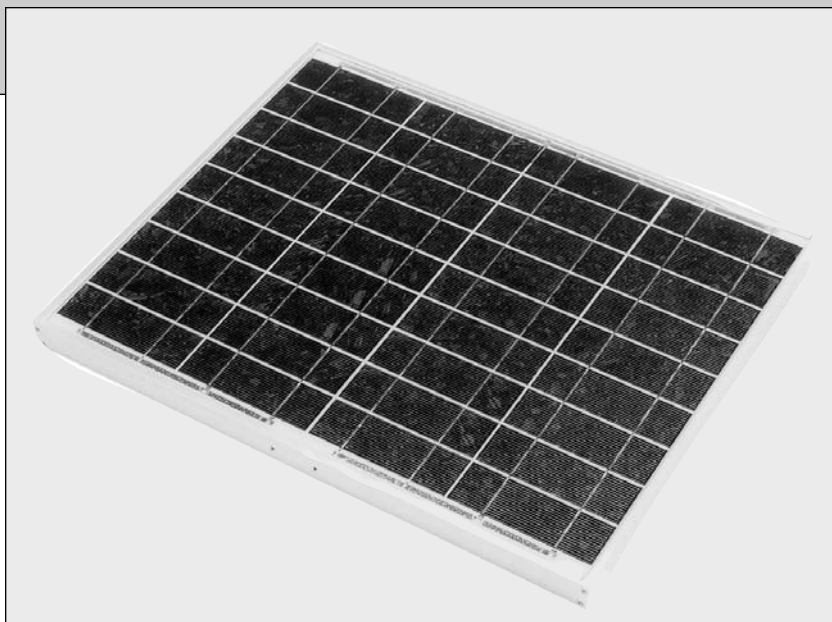


# KC40T

## HIGH EFFICIENCY MULTICRYSTAL PHOTOVOLTAIC MODULE

- Class I, Div.2, Groups A, B, C and D Hazardous Locations
- IEC 61215
- ISO 9001 / JIS Q 9001
- ISO 14001 / JIS Q 14001



### HIGHLIGHTS OF KYOCERA PHOTOVOLTAIC MODULES

Kyocera's advanced cell processing technology and automated production facilities produce a highly efficient multicrystal photovoltaic module.

The conversion efficiency of the Kyocera solar cell is 16%

These cells are encapsulated between a tempered glass cover and an EVA pottant with back sheet to provide maximum protection from the most severe environmental conditions.

The entire laminate is installed in an anodized aluminum frame to provide structural strength and ease of installation.

Equipped with an industrial grade junction box.

1 year limited warranty on material and workmanship, 25 year\* limited warranty on power output

### APPLICATIONS

- Microwave/Radio repeater stations
- Electrification of villages in remote areas
- Medical facilities in rural areas
- Power source for summer vacation homes
- Emergency communication systems
- Water quality and environmental data monitoring systems
- Navigation lighthouses and ocean buoys
- Pumping systems for irrigation, rural water supplies and livestock watering
- Aviation obstruction lights
- Cathodic protection systems
- Desalination systems
- Recreational vehicles
- Railroad signals
- Sailboat charging systems

### SPECIFICATIONS

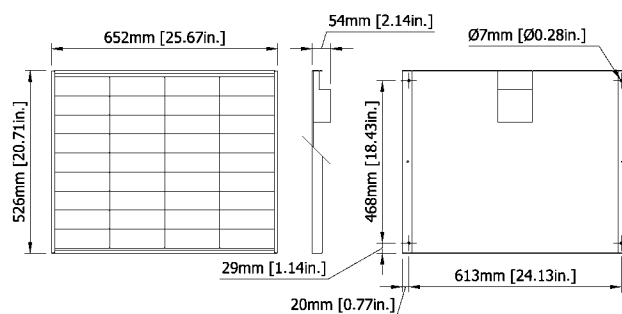
#### ■ Electrical Specifications

MODEL	KC40T
Maximum Power	40 Watts
Maximum Power Voltage	17.9 Volts
Maximum Power Current	2.24 Amps
Open Circuit Voltage	21.8 Volts
Short-Circuit Current	2.43 Amps
Length	20.7" (526mm)
Width	25.7" (652mm)
Depth	2.125" (54mm)
Weight	10.0lbs (4.5kg)

Note: The electrical specifications are under test conditions of irradiance of 1kW/m<sup>2</sup> Spectrum of 1.5 air mass and cell temperature of 25°C.

Kyocera reserves the right to modify these specifications without notice.

#### ■ Physical Specifications



\* Long term output warranty shall guarantee that loss of output is not more than 10% of the minimum warranty value of the product specifications within 12 years and is not more than 20% within 25 years after the purchase of the product by customer. The output values shall be those measured under Kyocera standard measurement conditions. Regarding the warranty conditions in detail, please refer to Warranty issued by Kyocera.